



Cygnnet Aerospace Corp., PO BOX 6603, LOS OSOS, CA 93412

WWW.CYGNET.AERO

Cygnnet Flight Desk Chart Holder

INSTALLATION

1. Remove plugs from 10-32 tapped holes on Control Arm if applicable.
2. Mount Dovetail onto Control Arm by aligning holes on Dovetail to holes on Control.
3. Attach Dovetail Block with 2 flat head screws. Lubricate screws before installation.
4. Place Writing Tablet Assembly onto Dovetail.
5. Turn knob clockwise to tighten.

IMPORTANT: ONLY USE SCREWS PROVIDED FOR MOUNTING TO CONTROL ARM.

THE SCREWS PROVIDED WITH THE CYGNET FLIGHT DESK HAVE BEEN SPECIFICALLY SELECTED. LONGER SCREWS WILL INTERFERE WITH AILERON OPERATION.

OPERATION

The Cygnnet Flight Desk Chart Holder has been designed to provide a simple means of removing the Writing Surface.

To remove, turn the knob ¼ turn counter-clockwise and slide the tablet towards you.

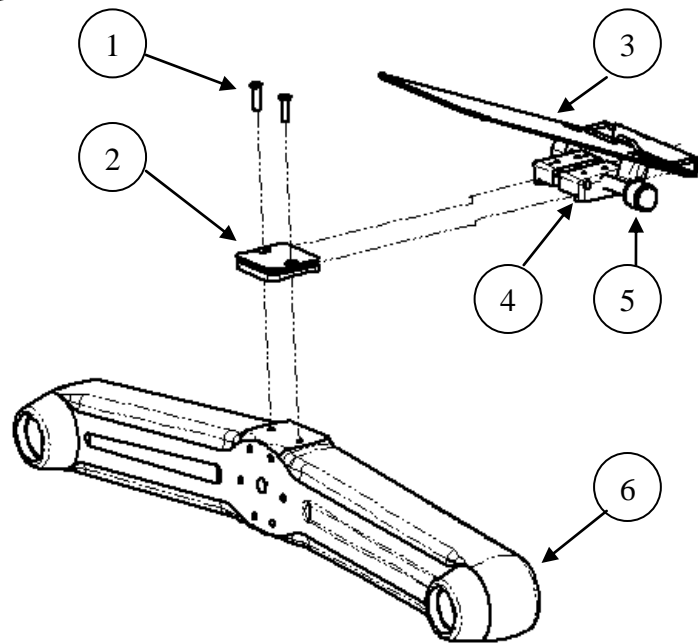
To attach the Writing Tablet to the Dovetail, align the grooves on the Clamp with those on the Dovetail and slide the Writing Tablet forward. Turn knob clockwise to tighten.

CAUTION: MOVEMENT OF THE WRITING TABLET IS 2 INCHES. IT SHOULD BE PLACED SUCH THAT ALL CONTROLS IN THE AIRCRAFT MAINTAIN FULL ACCESSIBILITY.

CONTINUING AIRWORTHINESS STATEMENT

The installation of the Cygnnet Flight Desk Chart Holder constitutes a minor alteration. It is up to the installer to determine compatibility with any existing equipment. The installed components must not interfere with full control travel or operation of any installed equipment.

CYGNET FLIGHT DESK CHART HOLDER



ITEM NO.	QTY.	DESCRIPTION
1	2	SCREWS
2	1	DOVETAIL
3	1	WRITING SURFACE
4	1	CLAMP
5	1	KNOB
6	1	DUAL CONTROL

Note position of knob relative to housing.

